

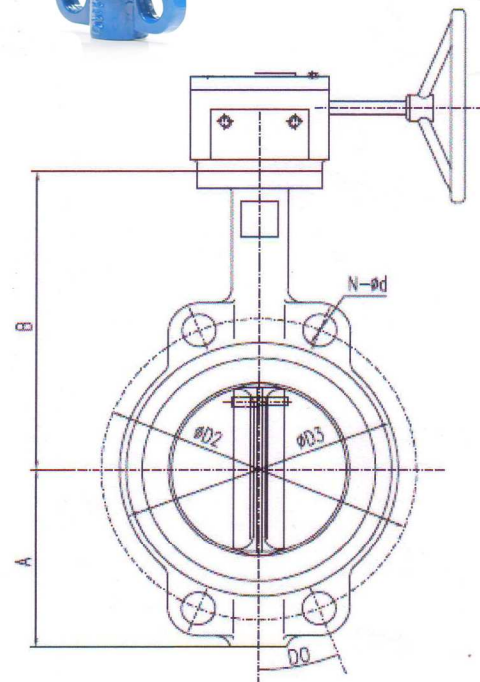
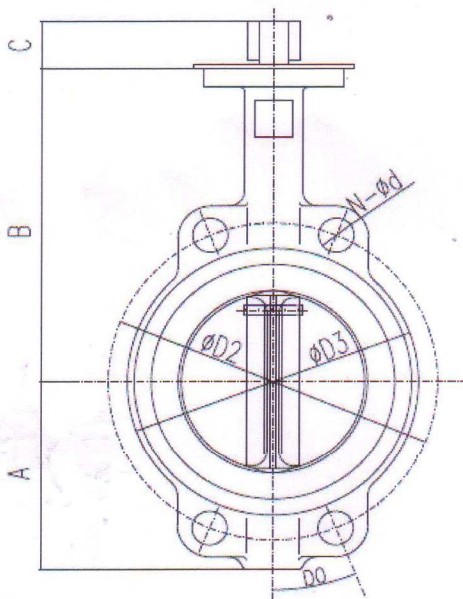
WAFER BUTTERFLY VALVE **PN16**

Features

- Suitable for universal flanged standards.
- Easy installation and excellent sealing with no leakage.
- Both lever operated and gear operated
- Pneumatic and Electric actuators are available
- Fusion bonded epoxy coating.

Materials List

Part	Materials	BS spec.
Body	Cast Iron	BS 1561-EN-GJL-220
Disc	Stainless Steel	Stainless Steel Grade 304
Seat	EPDM	EN 681-1
Shaft	Stainless Steel	Stainless Steel Grade 420



SIZE DN	A	B	C	ØD1	ØD2	ØD3	Ød	L	D0	f-f
80	95	181	32	78.8	160	127	19	245	22.5	45.2
100	114	200	32	104	180	158	19	276	22.5	52.1
150	139	226	32	155.7	240	212	23	276	22.5	55.8
200	175	260	45	202.4	295	268	23	383	22.5	60.6

SIZE DN	A	B	ØD1	ØD2	ØD3	Ød	N	D0	f-f
200	175	260	202.4	295	268	23	4	22.5	60.6
250	203	292	250.4	355	357	28	4	15	65.6
300	242	337	301.5	410	407	28	4	15	76.9

