

CAST CARBON STEEL GLOBE VALVE

Features

- Valve complied with Class 300
- Suitable for water, oil and gas API 600
- Max. working temperature 400°C
- Working pressure 55 bar.

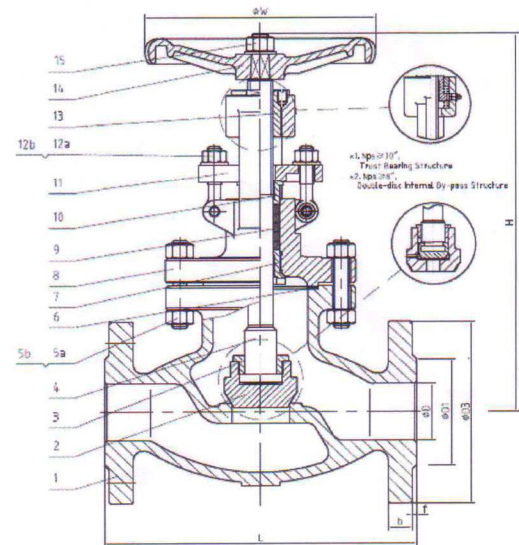
Sizes

- DN 50mm
- DN 80mm
- DN 100mm
- DN 150mm
- DN 200mm
- DN 250mm



Materials List

| No. | Part | Materials | Standard |
|-----|--------------|--------------|----------------|
| 1 | Body | Carbon Steel | A216 WCB |
| 2 | Disc | Carbon Steel | A105+13Cr |
| 3 | Disc Nut | Carbon Steel | ASTM A105 |
| 4 | Stem | Carbon Steel | A182 F6a |
| 5a | Bolt | Carbon Steel | A193 B7 |
| 5b | Nut | Carbon Steel | A194 2H |
| 6 | Gasket | Graphite+SS | Graphite+SS |
| 7 | Backing Seat | Carbon Steel | A276 410 |
| 8 | Bonnet | Carbon Steel | A216 WCB |
| 9 | Packing | Graphite | Graphite |
| 10 | Gland | Carbon Steel | A276 410 |
| 11 | Gland Flange | Carbon Steel | A216 WCB |
| 12a | Eyebolt | Carbon Steel | A193 B7 |
| 12b | Nut | Carbon Steel | A194 2H |
| 13 | Stem Nut | Carbon Steel | Copper Alloy |
| 14 | Handwheel | Malleable | Malleable Iron |
| 15 | Locked Nut | C.S | C.S |



| NPS | DN | D | D1 | D3 | b | f | L |
|-----|-----|-----|-----|-------|------|-----|-----|
| 2" | 50 | 51 | 92 | 150 | 16 | 2.0 | 203 |
| 3" | 80 | 76 | 127 | 190.5 | 19 | 2.0 | 241 |
| 4" | 100 | 102 | 157 | 230 | 24 | 2.0 | 292 |
| 6" | 150 | 152 | 216 | 280 | 25.4 | 2.0 | 406 |
| 8" | 200 | 203 | 270 | 345 | 28.5 | 2.0 | 495 |
| 10" | 250 | 254 | 324 | 405 | 30.2 | 2.0 | 622 |



SCI Coporation Co.,Ltd. (Former Name: Siam Cast Iron Works Co., Ltd.)

1/12 Moo 2, Samutsakorn Industrial Estate, Soi 7,
Rama II Road, Muang, Samutsakorn 74000, Thailand
Tel: (6634)829-200 Fax: (6634)829-222 E-mail: sci@scivalve.com