

CAST CARBON STEEL GATE VALVE

Features

- Valve complied with Class 300
- Suitable for water, oil and gas API 600
- Max. working temperature 400°C
- Working pressure 55 bar.

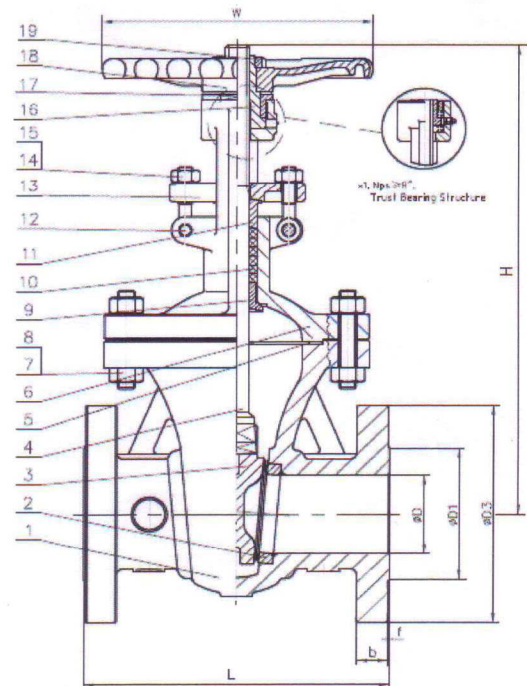
Sizes

- DN 80mm
- DN 100mm
- DN 150mm
- DN 200mm



Materials List

No.	Part	Materials	Standard
1	Body	Carbon Steel	A216 WCB
2	Seat	Carbon Steel	A105+13Cr
3	Disc	Carbon Steel	A216 WCB+13Cr
4	Stem	Carbon Steel	A182 F6a
5	Gasket	Graphite+SS	Graphite+SS
6	Bonnet	Carbon Steel	A216 WCB
7	Bolt	Carbon Steel	A193 B7
8	Nut	Carbon Steel	A194 2H
9	Back-seat	Carbon Steel	A276 410
10	Packing	Graphite	Graphite
11	Gland	Carbon Steel	A276 410
12	Pin	Carbon Steel	AISI 1045
13	Gland Flange	Carbon Steel	A216 WCB
14	Eyebolt	Carbon Steel	A193 B7
15	Nut	Carbon Steel	A194 2H
16	Stem Nut	Copper Alloy	Copper Alloy
17	Gland	CS	CS
18	Handwheel	Mellable Iron	Mellable Iron
19	Locked nut	CS	CS



NPS	DN	D	D1	D3	b	f	L
3"	80	76	127	210	27.0	2.0	282
4"	100	102	157	255	30.5	2.0	305
6"	150	152	216	320	35.0	2.0	403
8"	200	203	270	380	40.0	2.0	419

