

RESILIENT WEDGE GATE VALVE (WATERWORKS AND WASTE WATER)

Valves are manufactured and tested in according to AWWA C509, BS5163:86-A,B, BS 5153, DIN 3352-4 ISO 7259-A-B, TIS 1413-2540 etc. Face to face comply with ANSI B16.10, BS 5163, DIN 3202 F4 & F5, ISO 5752 Series 3 / 14 / 15 / 19 Rated pressure PN10, 16, 25, straight through bore type non rising stem and rising stem OS&Y. Cost saving feature is replaceable wedge without taking the valve out from the pipeline. Valves are designed especially for potable water, waste water and suitable for all types of water and air.

SIZE : 50 mm.- 400 mm.



Fig.161

Fig.163

Fig.170

Fig.171

FEATURES

- Vulcanized encapsulated resilient wedge , bubble tight shut-off , low head and loss.
- Valve ends can be flanged , spigot , socket , mechanical joint , grooved and shoulder.
- Flanged drilling to suit ANSI B16.1 , BS4504 , BS10 , BS 4772 , ISO , AS2129 , DIN , JIS and etc.
- Various types of operators such as handwheel , chainwheel , spur gear , bevel gear , pneumatic , hydraulic and electric actuator can be provided upon requested.
- Special accessories like by-pass unit , valve locking device , tapped bosses , pipe cover , indicator and limit switches are also available.

VALVE FIGURES NO.

Fig .161 Non Rising Stem , with Handwheel or Chainwheel or Cap or Operating Nut or Actuator.

Fig .163 Non Rising Stem , with Gear Handwheel or Chainwheel or Cap or Operating Nut or Actuator.

Fig .170 Rising Stem OS&Y , with Handwheel or Chainwheel or Actuator.

Fig .171 Rising Stem OS&Y , with Gear Handwheel or Chainwheel or Cap or Actuator.

DESIGN SPECIFICATIONS

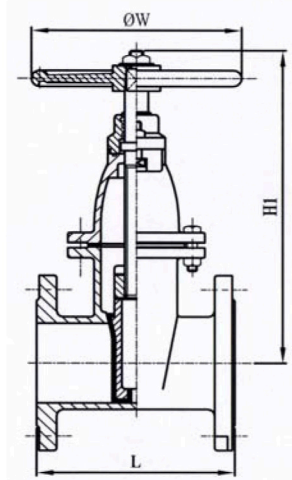


Fig.161

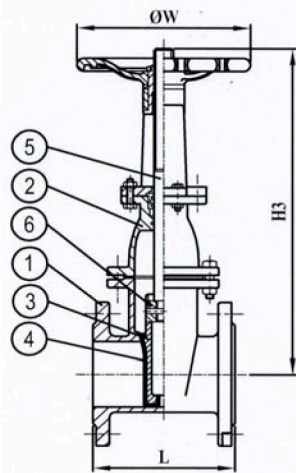
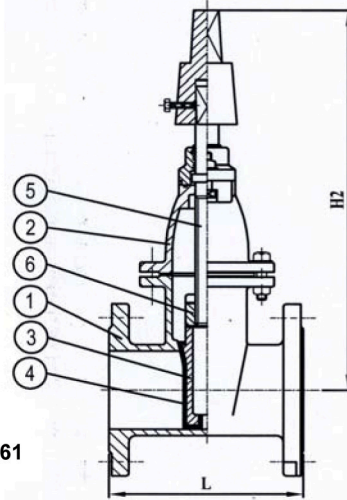
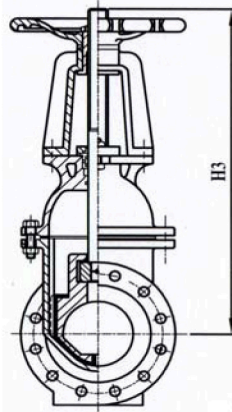


Fig.170



SIZE	L	H1	H2	ØW	WEIGHT	No OF TURN
	PN.10 16	(mm.)	(mm.)	(mm.)	REF PN.10	
50	178	266	375	180	19.5	4.4
65	190	303	392	180	21	5.7
80	203	335	424	200	27	7
100	229	373	462	250	40	8.6
150	267	489	571	315	66	12.8
200	292	577	659	315	110.5	17
250	330	690	768	400	177	21.2
300	356	778	856	400	141	25.3
350	381	905	977	400	332	29.6
400	406	998	1070	450	445	33.8

SIZE	L	H3	ØW	WEIGHT	No OF TURN
	PN.10 16	(mm.)	(mm.)	REF PN.10	
50	178	304	160	26.3	6.3
65	190	355	180	27.3	8
80	203	378	200	29	9.8
100	229	481	250	42	12.2
150	267	629	300	71	18
200	292	772	355	122	24
250	330	947	400	198	30
300	356	1080	400	271	36
350	381	1176	450	375	42
400	406	1359	700	515	48

NO.	PARTS NAME	MATERIAL	ASTM.DESIGNTION	BS.STANDARD	DIN.STANDARD
1	Body	Cast Iron	A 126 Class B	1452 Gr. 220,250,300	1691 GG25
2	Bonnet	Ductile Iron	A 536 Grade 65-45-12	420/12	
3	Disc	(Spheroidal Graphite Iron)	A 536 Grade 80-55-6 A 395	2789 Gr 500/7 600/3	1693 GGG 50
4	Seat	Rubber (EPDM,NBR)	D 2000	2494	53 538
5	Stem	Copper Alloy	B16 B21	2872 CZ 114	17660 CuZn 40
		Stainless Steel	A276 Type 304,316,316L,431	970 Gr. 304S15 316S16 316S12(316L) 431S29	17440 X5CrNi 1810 17440 X5CrNiMo 17122 17440 X2CrNiMo 17132 17440 X17CrNi 16-2
		Aluminium Bronze	B 124 B 150	2872 CA 104	17672 CuAl10Ni5Fe4
6	Stem Nut	Aluminium Bronze	B148 C95200	1400 AB.1	1714 CuAl10Fe
		Bronze	B 62	1400 LG.2	1705 G-CuSn5ZnPb
		Stainless Steel	A276 Type 304,316,316L,431	970 Gr. 304S15 316S16 316S12(316L) 431S29	17440 X5CrNi 1810 17440 X5CrNiMo 17122 17440 X2CrNiMo 17132 17440 X17CrNi 16-2



Siam Cast Iron Works Co.,Ltd.

Factory: 1/12 Moo 2, Samutsakorn Industrial Estate, Soi 7,

Rama II Road, Muang, Samutsakorn 74000, Thailand

Tel: (6634)829-200 Fax. (6634)829-222 E-mail: sci@scivalve.com



ISO 9001
File No. A4645