

RESILIENT SEAL SWING CHECK VALVE (NON RETURN VALVE) FOR FIRE MAIN

Valves are manufactured and tested in accordance with UL 312, ULC class 175 and FM class 200. The valve designed to offer positive seating for resistance against back pressure of back flow and efficient relax surge in line, suitable for fire protection and distribution service.

SIZE : 2 1/2" - 12"



Fig.378 MODEL 120U

QUALITY CERTIFIED BY :



LISTED NO.EX4203



APPROVED NO.3038220

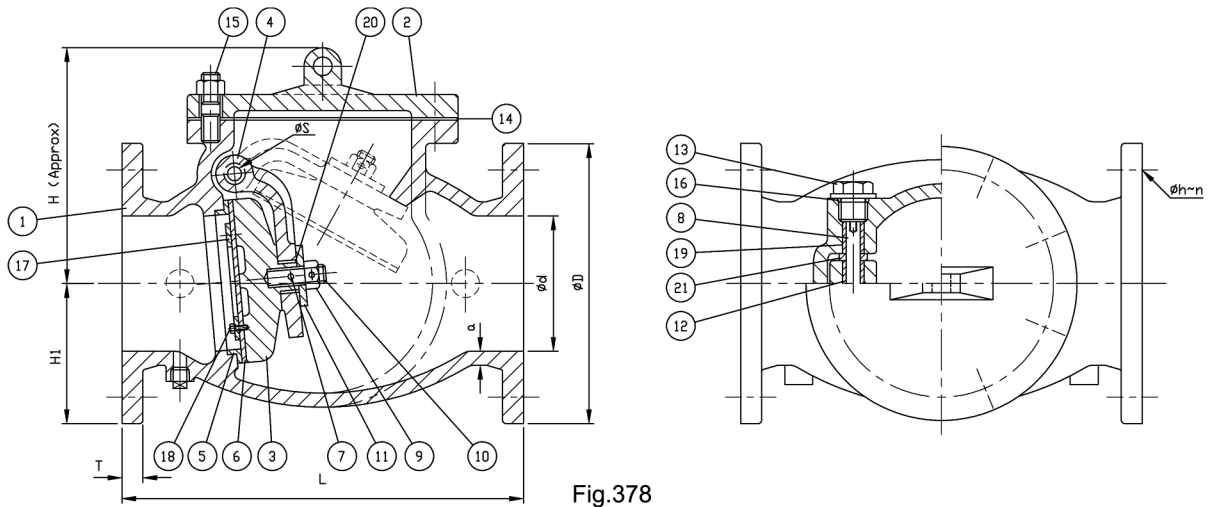


LISTED NO.2100 122.3

FEATURES

- Class 175 for UL approved
- Class 200 for FM approved
- Flange conforms with ANSI B16.1, class 125
- Full port and easy in-line service
- Replaceable resilient disc seat and disc
- Disc - body clearance min. 19.1 mm.
- Arm - body clearance min. 12.7 mm.
- Lifting lug on cover
- Epoxy coated internal and external

DIMENSIONS AND MATERIALS



NO.	PARTS	MATERIALS	ASTM. DESIGNATION
1	Body	Cast Iron	A 126 Class B
2	Cover	Cast Iron	A 126 Class B
3	Disc	Cast Iron	A 126 Class B
4	Arm	Cast Iron	A 126 Class B
5	Body Seat	Bronze	B62
6	Disc Seat	Rubber (Buna N)	D 2000 BK 7014
7	Knock Pin	Stainless Steel	A 276 Type 304
8	Hinge Pin	Stainless Steel	A 276 Type 304
9	Disc Nut	Brass	B21
10	Disc Stud	Brass	B21
11	Washer	Brass	B21
12	Arm Bushing	Bronze	B62
13	Plug	Brass	B21
14	Cover Gasket	Rubber (Buna N)	D 2000 BK 7014
15	Cover Stud Nut	Galvanized Steel	A 307 Grade B
16	O-Ring	Rubber (Buna N)	D 2000 BK 7014
17	Seat Holder	Bronze	B62
18	Seat Bolt	Stainless Steel	A 276 Type 304
19	Body Bushing	Bronze	B62
20	Arm Disc Bushing	Bronze	B62
21	Spacer	Bronze	B62

SIZE Ø in mm	L	Flanged ANSI B 16.1CL.125						a	ØS	H	H ₁	Approx.Weight	
		ØD	ØC	Øh	n	T	Kgs					lbs.	
2 ½"	65	216	178	140	19	4	17.5	10	9.5	167	89	20	44
3	80	214	191	152	19	4	19	12	9.5	190	96	23	50.6
4	100	292	229	191	19	8	23.8	13	9.5	211	115	36	79.2
6	150	356	279	241	22.2	8	25.4	16	15.9	269	140	69	151.8
8	200	495	343	299	22.2	8	28.6	18	19.1	310	172	142	312.4
10	250	622	406	362	25.4	12	30.2	21	22.2	352	203	210	462
12	300	698	483	432	25.4	12	31.8	23	22.2	413	242	300	660



Siam Cast Iron Works Co., Ltd.
 Factory: 1/12 Moo 2, Samutsakorn Industrial Estate, Soi 7,
 Rama 2 Road, Tahsai, Muang, Samutsakorn 74000, Thailand
 Tel: (6634)829-200 Fax: (6634)829-222 E-mail: sci@scivalve.com



ISO 9001
 File No. 438881 QM08
 ISO 14001
 File No. 438881 UM